

- **Diffusore ultra compatto a due vie**
- **Due Woofer 130m in cabinet reflex**
- **Tweeter 26mm a tromba conica**
- **Cabinet trapezoidale**
- **Sistema di sospensione incluso**
- **Pilotaggio full range passivo**
- **Per installazioni permanenti**

LSS MIL130v1 è stato progettato principalmente come diffusore da pavimento a basso profilo per monitorare il parlato in studi televisivi. Lo stesso è ideale per impianti di sonorizzazione distribuiti. I punti di aggancio compresi nel mobile facilitano la sospensione permanente in installazioni fisse.

- **Ultra-compact passive two-way system**
- **Two 130mm Lf shielded in vented enclosure**
- **26mm horn conical Titanium tweeter**
- **Trapezoidal Asymmetrical Cabinet**
- **Fly mounting points**
- **Powering mode full range passive**
- **For portable or permanent installations**

The MIL130v1 system is engineered for exceptional performance in the nearfield from a compact enclosure. Very effective as a fill/delay element in larger overall systems or for foreground/background music reproduction. Is also ideal for distributed systems. The comprehensive system mounting points permit safe, suspension in permanent installations.

# MIL130v1

COMPACT 2-WAY LOUDSPEAKER SYSTEM



## Product Information

LSS MIL130v1 è un diffusore acustico professionale a due vie reflex dal cabinet trapezoidale asimmetrico. MIL130v1 utilizza due mid woofer da 130 mm e un Tweeter a trombaconica da 26mm con membrana in Titanio. Il crossover passivo a bassa tolleranza con pendenza 12/18db e il circuito di protezione TWGUARD garantiscono la massima affidabilità. MIL130v1 può essere pilotato in modalità fullrange o bi-amp.

LSS's MIL130v1 is a 2-way full range system in a compact trapezoidal enclosure.

Includes two 130mm woofers and a 26 tweeter Titanium on conical horn.

This loudspeakers, is designed to work in full range mode.

LSS's advanced crossover included professional protection of HF TW GUARD.

The MIL130v1 offers a switchable powering mode: passive operation using the internal crossover filter network or bi-amplified operation.

www.lss.it



**LSS Advanced Speakers Systems**

Via On. Longo 53 - 89024 Polistena (RC) ITALY  
Tel. (39) 966 932199 - Fax (39) 966 933007  
Email: lss@lss.it - Internet: www.lss.it

# MIL130v1

## Dimensions

### COMPACT 2-WAY LOUDSPEAKER SYSTEM

#### Data Sheet

#### Physical

##### Dimensions mm ( $\pm 1$ mm)

- Height **500**
- Front With **180**
- Rear Width **120**
- Depth **200**
- Trapezoid angles **9°**

##### Weights Kilograms

- Net Weight **8**
- Shipping Weight **9**
- System Configuration **2way full range**

##### Enclosure Material

- Enclosure material **Birch Plywood of 12mm**
- Finish **Texture poliuretanic black paint**
- Suspension **4 point mounting suspension**
- Grille **Poweder coated perforated steel**
- Connectors **Neutrik Speakon NL4**
- Optional Accessories **Fly clip with ring**

#### Performance

##### Frequency Response

- $\pm 5$  dB **70Hz to 20KHz**
- $-10$  dB **60Hz**

##### Sensitivity (dB 1 watt @ 1 m)

- Full Range Passive **91dB**
- LF **91dB**
- HF **91dB**

##### Nominal Input Impedance (ohms)

- Full Range Passive **16**
- LF **16**
- HF **8**

##### Power Handling (watts cont. AES)

- Full Range Passive **200**
- LF **200**
- HF **50**

##### SPL (referenced to 1 m 1w)

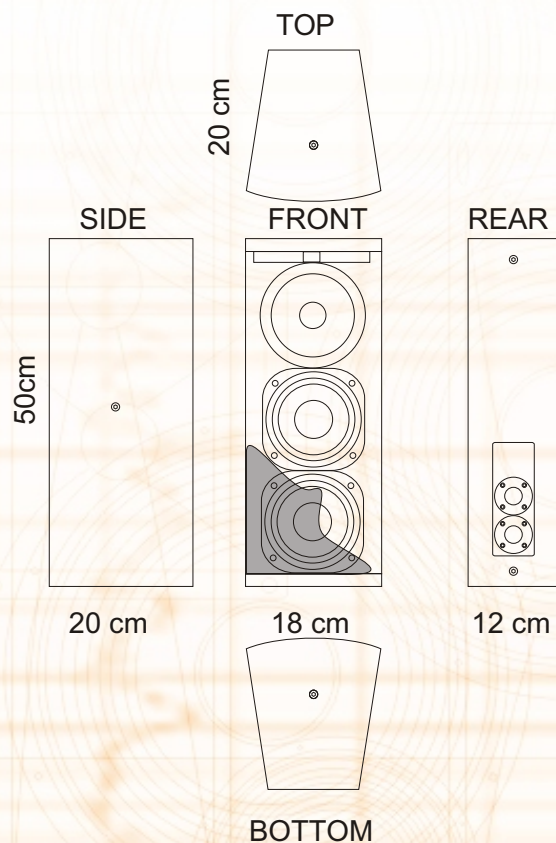
- Full Range Passive **91dB**

##### Nominal Dispersion (degrees @ - 6 dB)

- Horizontal **90°**
- Vertical **90°**

- Product Series **MIL**
- LF Subsystem & Loading Two **130mm woofer vented**
- HF Subsystem & Loading **One 26mm HornTitanium Tweeter**
- Crossover 2 way **12/18dB**
- Sistem Protection **TWGUARD**
- Operating Mode **Passive or BI AMP (passive LF/HF)**

#### Additional Date



**LSS Advanced Speakers Systems**

Via On. Longo 53 - 89024 Polistena (RC) ITALY  
Tel. (39) 966 932199 - Fax (39) 966 933007  
Email: [lss@lss.it](mailto:lss@lss.it) - Internet: [www.lss.it](http://www.lss.it)