

- **2 woofer 160mm in cabinet passa band reflex**
- **Pilotaggio full range passivo**
- **Per installazioni permanenti**

LSS PULCEW è un sistema di sub woofer stereo progettato come rinforzo della gamma bassa estrema per diffusori LSS PULCE o Sp110. PULCEW può essere utilizzato come sub woofer per sistemi audio distribuiti in locali di piccole e medie dimensioni.

- **Two 160mm LF in band pass vented enclosure**
- **Powering mode full range passive**
- **For permanent installation**

The PULCEW is a stereo subwoofer was designed to support bass reinforcement of PULCE or SP110 LSS loudspeaker in permanent installations.

PULCEW

COMPACT STEREO SUBWOOFER SYSTEM



Product Information

LSS PULCEW è un subwoofer stereo ad altissime prestazioni progettato come rinforzo della gamma bassa estrema (da 40 a 180 Hz). PULCEW utilizza due woofers da 160 mm con bobina mobile da 38mm. PULCEW è pilotabile in modalità passiva a gamma intera grazie al filtraggio meccanico passa banda in più offre un'uscita stereo filtrata per il collegamento di due satelliti PULCE o altri mini diffusori.

LSS's PULCEW is a stereo subwoofer loudspeaker high output, low distortion that provides response in the 40 - 180 Hz range. LSS's PULCEW uses two 160 mm low frequency cone with 38mm voice coil for better performance in permanently installed applications. PULCEW offer passive powering mode, band pass mechanical filter and the internal crossover network for satellite out. PULCEW performs well with PULCE loudspeakers to form full-range reproduction systems, and is also compatible with other LSS small mid-high loudspeakers.



LSS Advanced Speakers Systems

Via On. Longo 53 - 89024 Polistena (RC) ITALY
Tel. (39) 966 932199 - Fax (39) 966 933007
Email: lss@lss.it - Internet: www.lss.it

www.lss.it

PULCEW

Dimensions

COMPACT STEREO SUB WOOFER SYSTEM

Data Sheet

Physical

Dimensions mm (± 1 mm)

- Height 270
- Width 400
- Depth 400

Weights Kilograms

- Net Weight 8
- Shipping Weight 9.5

Enclosure Material

- Enclosure material MDF of of 12mm
- Finish **Texture poliuretanic black paint**
- Connectors **Black and Reds clamps or Two Neutrik NL4 speakon**

Performance

Frequency Response

- ± 5 dB 40Hz to 180Hz
- -10 dB 35Hz

Sensitivity (dB 1 watt @ 1 m)

- Full Range Passive **92dB**
- LF **92dB**

Nominal Input Impedance (ohms)

- Full Range Passive **8+8**
- LF **8+8**

Power Handling (watts cont. AES)

- Full Range Passive **80+80**
- LF **80+80**

SPL (referenced to 1 m 1w)

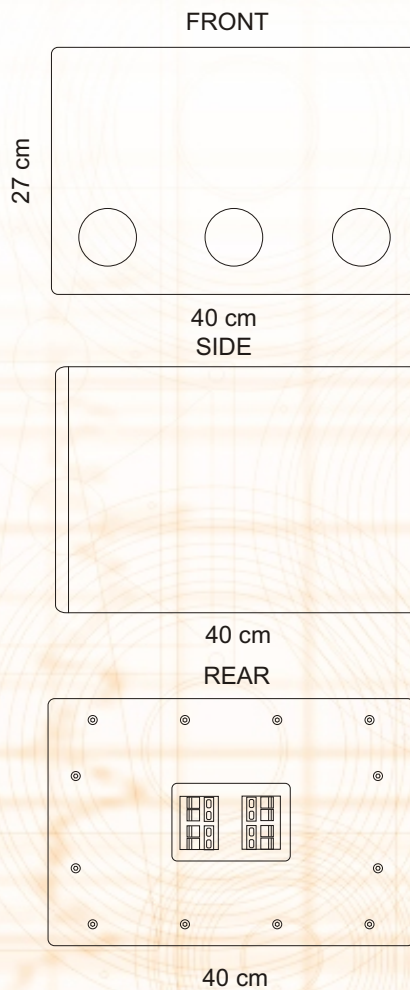
- Full Range Passive **92dB**

Nominal Dispersion (degrees @ - 6 dB)

- Horizontal **90°**
- Vertical **90°**

- Product Series PULCE
- LF Subsystem & Loading **Two 160mm woofer band pass**
- Crossover **6dB**
- Operating Mode **Passive**

Additional Date



LSS Advanced Speakers Systems

Via On. Longo 53 - 89024 Polistena (RC) ITALY
Tel. (39) 966 932199 - Fax (39) 966 933007
Email: lss@lss.it - Internet: www.lss.it