

- **Woofers 380mm in cabinet reflex**
- **Driver 44mm neodimio/titanio tromba (60° x 40°)**
- **Sistema di sospensione incluso**
- **Flangia per stativo inclusa**
- **Pilotaggio full range passivo o BI-AMP (passivo BF/AF)**
- **Per usi portatili o installazioni permanenti**

LSS SP640 è un diffusore acustico progettato per soddisfare la più ampia gamma di utilizzatori di sistemi audio professionale.

La flangia a tazza permette l'utilizzo su stativo e le robuste maniglie facilitano un rapido carico in uso portatile. La sua estrema linearità e la bassa distorsione consente l'utilizzo come sistema principale in medi eventi. SP 640 può essere ideale per sonorizzare medi locali, etc.

I punti di aggancio compresi nel mobile facilitano la sospensione permanente in installazioni fisse.

- **380mm LF in vented enclosure**
- **44mm titanium/neodimium driver horn-loaded (60° x 40° coverage pattern)**
- **Fly mounting points and pole mount cup included**
- **Powering mode full range passive or BI-AMP (passive MF/HF)**
- **For portable use or permanent installation**

The SP640 was designed to support the widest possible range of pro audio applications. While ideal for distributed systems, the 13° per side trapezoid angles match the 60° horizontal coverage pattern allowing the creation of tight packed clusters. The pole mount cup and balance-optimized handles allow for quick and easy load-in for portable use. Its high output capabilities let it act as a main system for smaller concert or portable A/V events or even provide front or side fill for concert touring applications. The comprehensive system mounting points permit safe, suspension in permanent installations.

SP640v1

COMPACT 2-WAY LOUDSPEAKER SYSTEM



Product Information

LSS SP640 è un diffusore acustico a due vie ad alte prestazioni, I utilizzabile sia come sistema a gamma intera sia come satellite da accoppiare ad un sub woofer (es. PSUB3) . SP640 utilizza un woofer da 380 mm con bobina a lunga corsa da 75mm con supporto in Kapton driver da 44mm caricato a tromba con membrana in titanio e magnete in neodimio. SP640 è il prodotto ideale per sonorizzare locali di media grandezza o piccoli eventi live all'aperto. I punti di sospensione inclusi nel cabinet offrono la possibilità di sospensione. SP640 essendo trapezoidale permette la creazione di grappoli in sistemi di arrays. Il circuito di protezione AF TW GUARD incluso nel crossover garantisce la massima affidabilità. SP640 può essere pilotato in modalità full range o bi-amp.

LSS's 640 2-way loudspeaker system provides high output, low distortion sound reinforcement for the entire range of pro audio applications.

The 380mm low frequency cone with 75mm voice coil and 44mm voice coil high frequency compression driver provides higher output and lower distortion plus enhanced power handling capabilities for better performance in both portable and permanently installed applications.

LSS's advanced crossover included professional protection of HF TW GUARD.

The SP640 offers a switchable powering mode: passive operation using the internal crossover filter network or bi-amplified operation.



LSS Advanced Speakers Systems

Via On. Longo 53 - 89024 Polistena (RC) ITALY
Tel. (39) 966 932199 - Fax (39) 966 933007
Email: lss@lss.it - Internet: www.lss.it

www.lss.it

SP640v1

Dimensions

COMPACT 2-WAY LOUDSPEAKER SYSTEM

Data Sheet

Physical

Dimensions mm (± 1 mm)

- Height **700**
- Front Width **462**
- Rear Width **230**
- Depth **524**
- Trapezoid Angle (degrees) **13° per side**

Weights Kilograms

- Net Weight **35**
- Shipping Weight **38**
- System Configuration **2way full range**

Enclosure Material

- Enclosure material **Birch Plywood of 18mm**
- Finish **Texture poliuretanic black paint**
- Suspension **6 point mounting suspension**
- Grille **Poweder coated perforated steel**
- Connectors **Two Neutrik NL4 speakon**
- Optional Accessories **Fly clip with ring**

Performance

Frequency Response

- ± 5 dB **45Hz to 18Kz**
- -10 dB **38Hz**

Sensitivity (dB 1 watt @ 1 m)

- Full Range Passive **99dB**
- LF **99dB**
- HF **103dB**

Nominal Input Impedance (ohms)

- Full Range Passive **8**
- LF **8**
- HF **16**

Power Handling (watts cont. AES)

- Full Range Passive **500**
- LF **400**
- HF **200**

SPL (referenced to 1 m 1w)

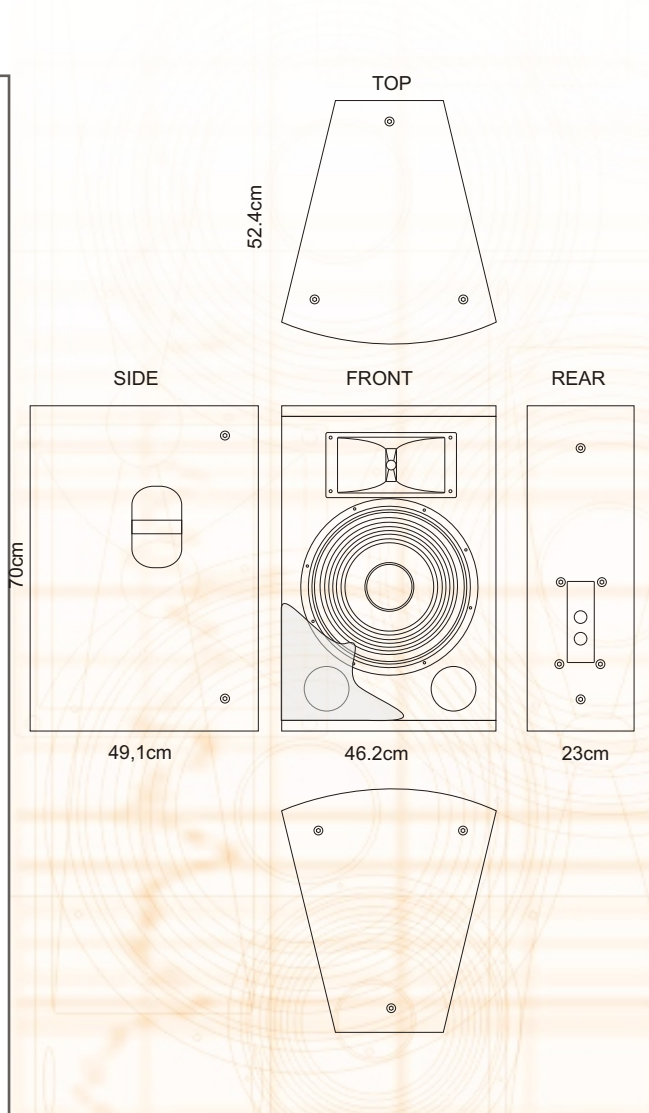
- Full Range Passive **99dB**

Nominal Dispersion (degrees @ - 6 dB)

- Horizontal **90°**
- Vertical **45°**

- Product Series **SP**
- LF Subsystem & Loading **One 380mm woofer vented**
- HF Subsystem & Loading **One 25mm exit/44mm voice coil titanium/neodimium**
- Crossover 2 way **12/18dB**
- Sistem Protection **TW Guard**
- Operating Mode **Passive or BI AMP (passive LF/HF)**

Additional Date



LSS Advanced Speakers Systems

Via On. Longo 53 - 89024 Polistena (RC) ITALY
Tel. (39) 966 932199 - Fax (39) 966 933007
Email: lss@lss.it - Internet: www.lss.it