

- 2 woofer 320mm in cabinet reflex
- Pilotaggio full range passivo
- Per installazioni permanenti

LSS SUBSM1 è un diffusore acustico progettato come rinforzo della gamma bassa estrema per diffusori studio monitors LSS SM1 o similari. Sm1 può essere utilizzato come sub woofer per sistemi surround professionali per il cinema e la post produzione audio video

- Two 320mm LF in vented enclosure
- Powering mode full range passive
- For permanent installation

The SUBSM1 was designed to support bass reinforcement of studio monitor Sm1 or the widest possible range of applications in surround sound for cinema post production

SUBSM1

COMPACT STEREO SUBWOOFER SYSTEM



Product Information

LSS SUBSM1 è un diffusore acustico ad altissime prestazioni progettato come rinforzo della gamma bassa estrema (da 35 a 150 Hz) in sistemi studio monitor tipo Sm1 o altri diffusori satelliti. SUBSM1 è un sistema sub reflex costituito da due woofer da 500w AES dal diametro di 320mm con cono smorzato bobina da 100mm e magnete da 220mm con decompressore. SUB Sm1 è pilotabile in modalità passiva con o senza l'ausilio di un crossover elettronico esterno.

LSS SUBSM1 is a subwoofer loudspeaker that provides flat response in the 35 - 150 Hz range.

The SUBSM1 performs well with SM1 studio monitors loudspeakers to form full-range reproduction systems, and is also compatible with other LSS mid-high loudspeakers.

SUBSM1 cabinet houses two 320mm drivers of 500 watts AES per channel.



LSS Advanced Speakers Systems

Via On. Longo 53 - 89024 Polistena (RC) ITALY
Tel. (39) 966 932199 - Fax (39) 966 933007
Email: lss@lss.it - Internet: www.lss.it

www.lss.it

SM1

Dimensions

COMPACT REFLEX STUDIO MONITOR SYSTEM

Data Sheet

Physical

Dimensions mm (± 1 mm)

- Height **460**
- Front Width **750**
- Depth **390**

Weights Kilograms

- Net Weight **41**
- Shipping Weight **45**

Enclosure Material

- Enclosure material **Birch Plywood of 18mm**
- Finish **Texture poliuretanic black paint**
- Connectors **Two Neurik NL4 speakon**

Performance

Frequency Response

- ± 5 dB **35Hz to 150Hz**
- -10 dB **28Hz**

Sensitivity (dB 1 watt @ 1 m)

- Full Range Passive **96dB**
- LF **96dB**

Nominal Input Impedance (ohms)

- Full Range Passive **8+8**
- LF **8+8**

Power Handling (watts cont. AES)

- Full Range Passive **500+500**
- LF **500+500**

SPL (referenced to 1 m 1w)

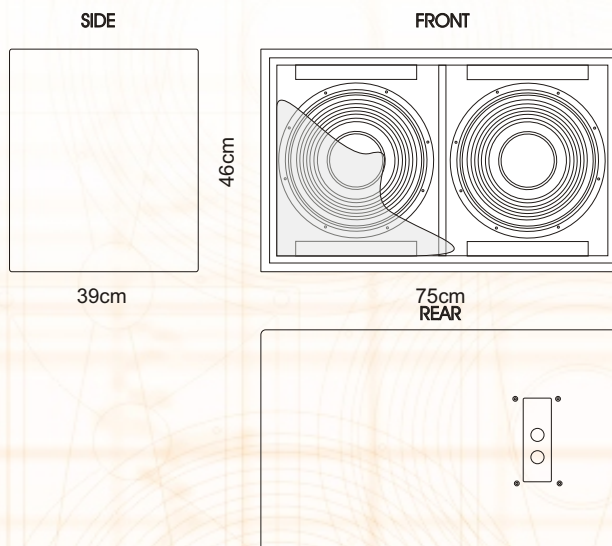
- Full Range Passive **96dB**

Nominal Dispersion (degrees @ - 6 dB)

- Horizontal **90°**
- Vertical **90°**

- Product Series **STUDIO**
- LF Subsystem & Loading **Two 300mm woofer vented**
- Crossover **12dB**
- Operating Mode **Passive**

Additional Date



LSS Advanced Speakers Systems

Via On. Longo 53 - 89024 Polistena (RC) ITALY
Tel. (39) 966 932199 - Fax (39) 966 933007
Email: lss@lss.it - Internet: www.lss.it