

- **Woofer 250mm in cabinet reflex**
- **Driver coax 72mm neodimio/titanio tromba conica**
- **Sistema di sospensione incluso**
- **Flangia per stativo inclusa**
- **Pilotaggio full range passivo o BI-AMP (passivo BF/AF)**
- **Per usi portatili o installazioni permanenti**

LSS WM1 è mini monitor da palco dall'elevata naturalezza timbrica.

La flangia a tazza permette l'utilizzo su stativo, la sua estrema linearità e la bassa distorsione lo rende ideale per il monitoraggio della voce e strumenti come fiati tastiere chitarre etc.

I punti di aggancio compresi nel mobile facilitano la sospensione permanente in installazioni fisse.

- **250mm coax trasducer in vented enclosure enclosure**
- **Operation angle 90°/55°**
- **Neodimium magnet**
- **Fly mounting points and pole mount cup included**
- **Powering mode full range passive or BI-AMP (passive MF/HF)**
- **For portable use or permanent installation**

The WM1 was designed to support the widest possible range of pro audio applications. Is ideal for stage monitoring applications high output vocal presence and neutral balanced sound.

The pole mount cup provide front or side fill for concert touring applications.

The comprehensive system mounting points permit safe, suspension in permanent installations.

WM1

ULTRA LOW PROFILE STAGE MONITOR SYSTEM



Product Information

LSS WM1 è un monitor da palco a basso profilo a due vie ad alte prestazioni, l'elevata tenuta in potenza e la bassa distorsione sono alcune delle potenzialità di questo diffusore.

WM1 utilizza un woofer da 250mm con bobina a lunga corsa da 75mm con supporto in Kapton driver da 72mm caricato a tromba con membrana in titanio e magneti in neodimio.

I punti di sospensione inclusi nel cabinet offrono la possibilità di sospensione.

Il crossover passivo a bassa tolleranza con pendenza 18db e il circuito di protezione professionale HF TW GUARD garantisce un suono indistorto e la massima affidabilità.

WM1 può essere pilotato in modalità full range o bi-amp.

LSS's WM1 2-way loudspeaker system provides high output, low distortion sound reinforcement for the entire range of pro audio applications.

The 250mm low frequency cone with 75mm voice coil and 72mm voice coil high frequency compression driver provides higher output and lower distortion plus enhanced power handling capabilities for better performance in both touring applications.

LSS's advanced crossover included professional protection of HF TW GUARD.

The WM1 offers a switchable powering mode: passive operation using the internal crossover filter network or bi-amplified operation.



LSS Advanced Speakers Systems

Via On. Longo 53 - 89024 Polistena (RC) ITALY

Tel. (39) 966 932199 - Fax (39) 966 933007

Email: lss@lss.it - Internet: www.lss.it

www.lss.it

WM1

Dimensions

ULTRA LOW PROFILE STAGE MONITOR SYSTEM

Data Sheet

Physical

Dimensions mm (± 1 mm)

- Height **285**
- Front Width **400**
- Depth **440**
- Trapezoid Angle (degrees) **12° per side**

Weights Kilograms

- Net Weight **9**
- Shipping Weight **11**
- System Configuration **2way full range**

Enclosure Material

- Enclosure material **Birch Plywood of 15mm**
- Finish **Texture poliuretanic black paint**
- Suspension **6 point mounting suspension**
- Grille **Poweder coated perforated steel**
- Connectors **Two Neutrik NL4 speakon**
- Optional Accessories **Fly clip with ring**

Performance

Frequency Response

- ± 5 dB **75Hz to 15Kz**
- -10 dB **60Hz**

Sensitivity (dB 1 watt @ 1 m)

- Full Range Passive **97dB**
- LF **97dB**
- HF **99dB**

Nominal Input Impedance (ohms)

- Full Range Passive **8**
- LF **8**
- HF **8**

Power Handling (watts cont. AES)

- Full Range Passive **400**
- LF **300**
- HF **100**

SPL (referenced to 1 m 1w)

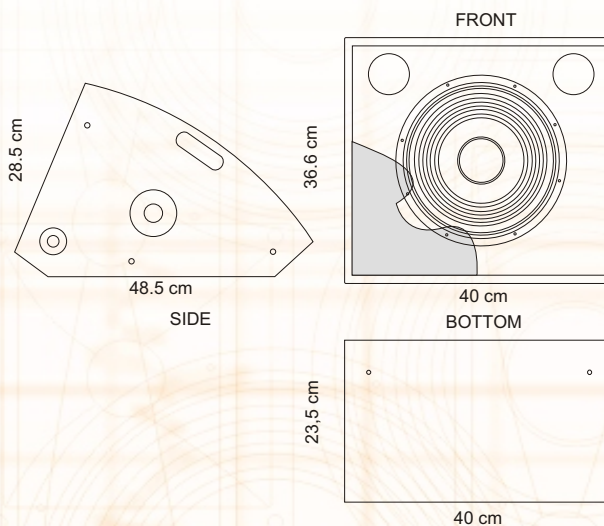
- Full Range Passive **97dB**

Nominal Dispersion (degrees @ - 6 dB)

- Horizontal **75°**
- Vertical **75°**

- Product Series **WM**
- LF Subsystem & Loading **One 250mm woofer vented**
- HF Subsystem & Loading **One 72mm exit/72mm voice coil**
- Crossover 2 way 12/18dB
- Sistem Protection **TW Guard**
- Operating Mode **Passive or BI AMP (passive LF/HF)**

Additional Date



LSS Advanced Speakers Systems

Via On. Longo 53 - 89024 Polistena (RC) ITALY
Tel. (39) 966 932199 - Fax (39) 966 933007
Email: lss@lss.it - Internet: www.lss.it