

- **Woofer 380mm in cabinet reflex**
- **Driver coax 75mm neodimio/titanio tromba conica**
- **Sistema di sospensione incluso**
- **Flangia per stativo inclusa**
- **Pilotaggio full range passivo o BI-AMP (passivo BF/AF)**
- **Per usi portatili o installazioni permanenti**

LSS WM3 è un monitor da palco dall'elevata naturalezza timbrica.

La flangia a tazza permette l'utilizzo su stativo, la sua estrema linearità e la bassa distorsione lo rende ideale per il monitoraggio della voce e/o strumenti. I punti di aggancio compresi nel mobile facilitano la sospensione permanente in installazioni fisse.

- **380mm coax trasducer in vented enclosure enclosure**
- **Operation angle 90°/55°**
- **Neodimium magnet**
- **Fly mounting points and pole mount cup included**
- **Powering mode full range passive or BI-AMP (passive MF/HF)**
- **For portable use or permanent installation**

The WM3 was designed to support the widest possible range of pro audio applications.

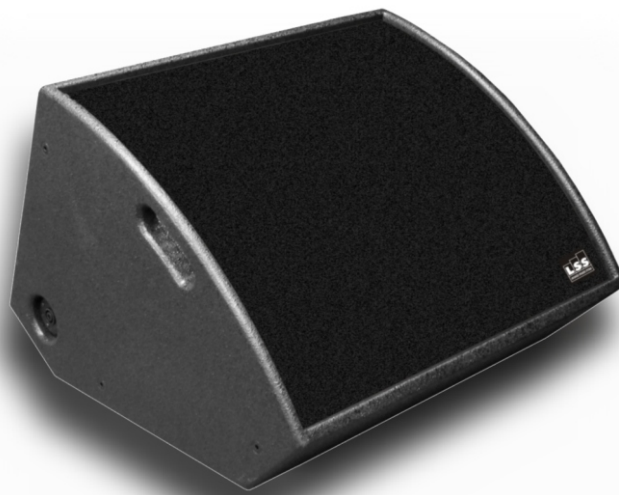
Is ideal for stage monitoring applications high output vocal presence and neutral balanced sound.

The pole mount cup provide front or side fill for concert touring applications.

The comprehensive system mounting points permit safe, suspension in permanent installations.

WM3v3

LOW PROFILE STAGE MONITOR SYSTEM



Product Information

LSS WM3 è un monitor da palco a basso profilo a due vie ad alte prestazioni, l'elevata tenuta in potenza e la bassa distorsione sono alcune delle potenzialità di questo diffusore.

WM3 utilizza un woofer da 380mm con bobina a lunga corsa da 75mm driver da 75mm caricato a tromba con membrana in titanio e magnete in neodimio.

I punti di sospensione inclusi nel cabinet offrono la possibilità di sospensione.

Il crossover passivo a bassa tolleranza con pendenza 12db e il circuito di protezione professionale HF TW GUARD garantisce un suono indistorto e la massima affidabilità.

Wm3 può essere pilotato in modalità full range o bi-amp.

LSS's WM3 2-way loudspeaker system provides high output, low distortion sound reinforcement for the entire range of pro audio applications.

The 380mm low frequency cone with 75mm voice coil and 75mm voice coil high frequency compression driver provides higher output and lower distortion plus enhanced power handling capabilities for better performance in both touring applications.

LSS's advanced crossover included professional protection of HF TW GUARD.

The Wm3 offers a switchable powering mode: passive operation using the internal crossover filter network or bi-amplified operation.



www.lss.it



LSS Advanced Speakers Systems

Via On. Longo 53 - 89024 Polistena (RC) ITALY
Tel. (39) 966 932199 - Fax (39) 966 933007
Email: lss@lss.it - Internet: www.lss.it

WM3v3

Dimensions

LOW PROFILE STAGE MONITOR SYSTEM

Data Sheet

Physical

Dimensions mm (± 1 mm)

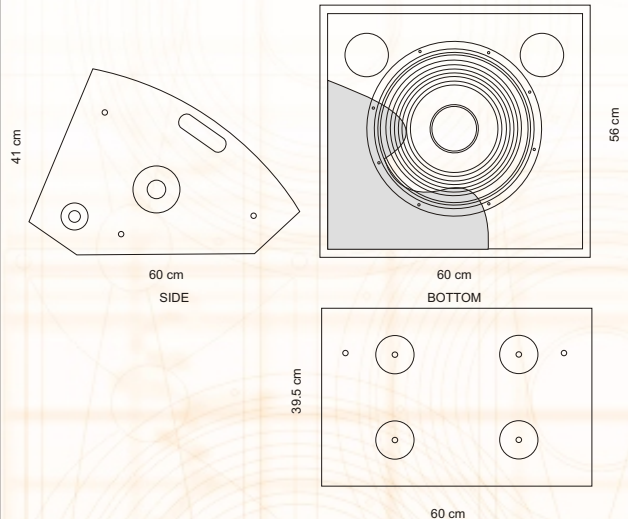
- Height **410**
- Front Width **600**
- Depth **600**

Weights Kilograms

- Net Weight **23**
- Shipping Weight **25**
- System Configuration **2way full range**

Enclosure Material

- Enclosure material **Birch Plywood of 18mm**
- Finish **Texture poliuretanic black paint**
- Suspension **6 point mounting suspension**
- Grille **Powder coated perforated steel**
- Connectors **Two Neutrik NL4 speakon**
- Optional Accessories **Fly clip with ring**



Performance

Frequency Response

- ± 3 dB **50Hz to 18KHz**
- -10 dB **40Hz**

Sensitivity (dB 1 watt @ 1 m)

- Full Range Passive **98dB**
- LF **98dB**
- HF **106dB**

Nominal Input Impedance (ohms)

- Full Range Passive **8**
- LF **8**
- HF **8**

Power Handling (watts cont. AES)

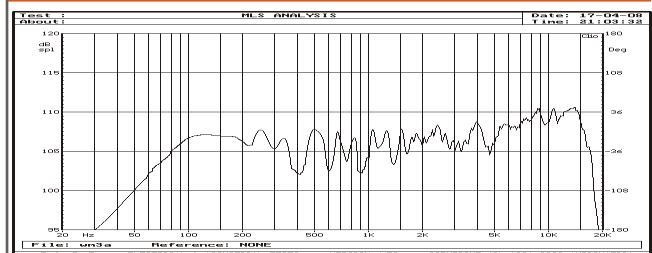
- Full Range Passive **600**
- LF **400**
- HF **200**

SPL (referenced to 1 m 1w)

- Full Range Passive **98dB**

Nominal Dispersion (degrees @ - 6 dB)

- Horizontal **75°**
- Vertical **75°**



- Product Series **WM**
- LF Subsystem & Loading **One 380mm woofer vented**
- HF Subsystem & Loading **One 75mm exit/75mm voice coil**
- Crossover 2 way **12/12dB**
- Sistem Protection **TW Guard**
- Operating Mode **Passive or BI AMP (passive LF/HF)**

Additional Date



LSS Advanced Speakers Systems

Via On. Longo 53 - 89024 Polistena (RC) ITALY
Tel. (39) 966 932199 - Fax (39) 966 933007
Email: lss@lss.it - Internet: www.lss.it