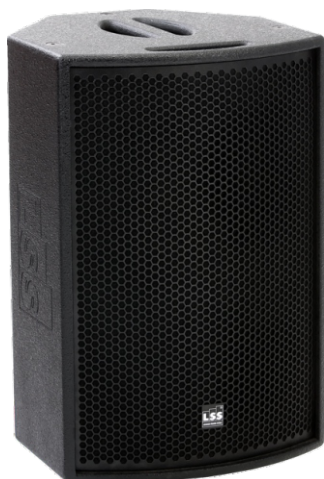


DG300

COMPACT 2-WAY LOUDSPEAKER SYSTEM



- 12" LF Ferrite Driver in Vented Enclosure
- 1.4" Compression driver with Rotable 1" Horn
- Fly Mounting Points and Pole mount Cup Included
- Powering Mode: Full-Range Passive
- For Touring or Permanent Installation

Product Information

2-WAY loudspeaker system provides high output, low distortion sound reinforcement for the entire range of pro audio application. The 320 mm (12") low frequency woofer and 50 mm (2") voice coil and 36 mm (1.4") voice coil high frequency compression driver on rotatable 1" horn provide higher output and lower distortion plus enhanced power handling capabilities for better performance both in touring or permanent installation. LSS's advanced crossover includes professional protection of HF. Rig it in clusters on a live venue, mount it on speaker stands or even a stage monitor. The possibilities are numerous; integrated handles, lightweight design and sturdy mechanical protection features allow to handle DG300 with ease, whether you are a touring company, installer or mobile.

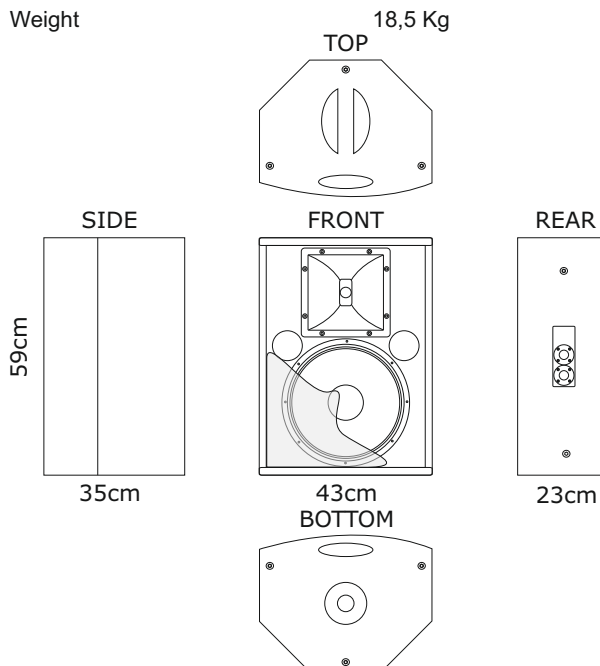
Enclosure Material

- Enclosure Material: Birch Plywood of 15 mm
- Finish: Texture Polyurethane Black Paint
- Suspension: 8 Point Mounting Suspension M10
- Grille: Powder Coated Perforated Steel with anti-dust foam
- Connectors: 2 Neutrik NL4 Speakon
- Optional Accessories: Fly Clip with Ring, Speaker Soft Bag

INSTALL | EVENTS | PORTABLE | TOURING

Data Sheet

Frequency Response	±5 dB 65 Hz ~ 18 KHz -10 dB 55 Hz
Sensitivity (1 Watt @ 1 m)	98 dB
Max SPL Calculated (Power AES) [PEAK]	124 dB [128 dB]
Nominal Input Impedance (Ω)	8 Ω
Power Handling (Watts Cont. AES) [PEAK]	400 W [1075 W]
Nominal Dispersion (@ -6 dB)	90° (H) x 40° (V)
Dimensions mm (±1 mm) (H x W x D)	590 x 430 x 350
Weight	18,5 Kg



MULTIFUNCTION