

# OCTO18A

## ROTATABLE SELF POWERED REFLEX SUBWOOFER SYSTEM



- 18" Reflex Subwoofer System
- Pole Mount Cup Included
- Powering Mode: Self-Powered with 1500 W Digital Power Module
- For Touring or Permanent Installation

### Product Information

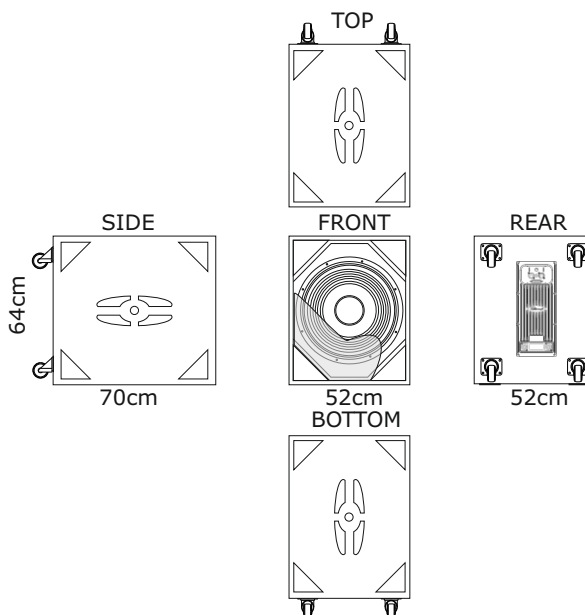
OCTO18A is designed for wide-range of professional applications. OCTO18A enclosure uses one woofer of 460 mm (18") very high excursion cone with 100 mm (4") voice coil of New Technology Dual Split and Neodymium magnet structure. High performance and very high peak output for concert sound. The woofer is mounted in a reflex box hard and reinforced with 18 mm front and rear panel. OCTO18A is the ideal product to be paired with speakers such as SP530, SP640, PSAT1, PSAT2 SF15, ST17, AR208, AR210, HDA24 or similar. The cabinet configuration allows the vertical and horizontal positioning with cup included. The powering mode is Active with Digital Amp module and DSP Controller. It is possible to choose within 4 different preset stored by default.

### Enclosure Material

- Enclosure Material: Birch Plywood of 18 mm
- Finish: Texture Polyurethane Black Paint
- Grille: Powder Coated Perforated Steel with anti-dust foam
- Connectors: Neutrik XLR In & Out + AC Power: 240V, Powercon In & Out

### Data Sheet

Frequency Response	±5 dB 40 Hz ~ 150 Hz -10 dB 30 Hz
Sensitivity (1 Watt @ 1 m)	97 dB
Max SPL Calculated (Power EIAJ) [PEAK]	129 dB [132 dB]
Nominal Input Impedance (Ω)	8 Ω
Power Handling (Watts EIAJ) [PEAK]	1500 W [3000 W]
Nominal Dispersion (@ -6 dB)	360°
Dimensions mm (±1 mm) (H x W x D)	640 x 520 x 700
Weight	54 Kg



INSTALL | CONCERT HALL | STADIUM | TOURING

SELF POWERED