

OCTO21A

SELF POWERED REFLEX SUBWOOFER SYSTEM



- 21" Reflex Subwoofer System
- Powering Mode: Self Powered with 2200 W Digital Power Module
- For Touring or Permanent Installation

Product Information

OCTO21A provides high output, low distortion sound reinforcement and is designed for wide-range of professional applications. OCTO21A enclosure uses one woofer of 547 mm (21") very high excursion cone with 150 mm (6") voice coil of New Technology Split Winding and Neodymium magnet structure. High performance and very high peak output for concert sound. High output, bass response and low distortion make the OCTO21A surprising in terms of performance. OCTO21A is the ideal product to be paired with speakers such as SP530, SP640, PSAT1, PSAT2 SF15, ST17, AR208, AR210, HDA24 or similar. OCTO21A powering mode is active with digital Amp module and DSP controller. It is possible to choose within 4 different preset stored by default.

Enclosure Material

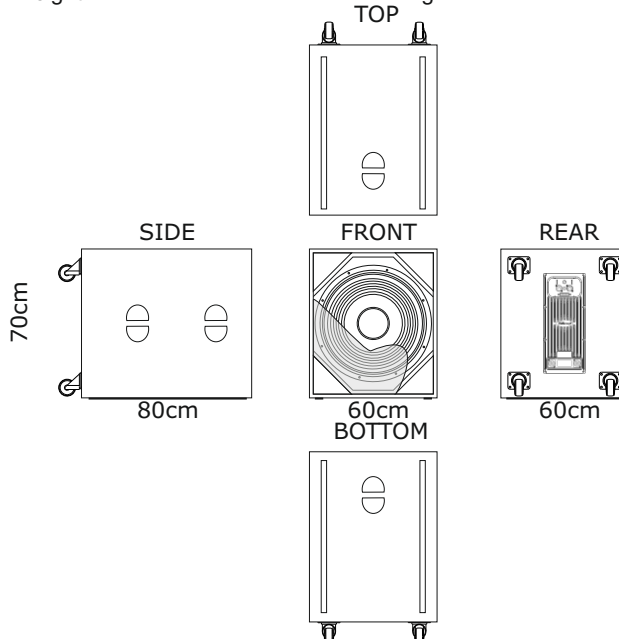
- Enclosure Material: Birch Plywood of 18/30 mm
- Finish: Texture Polyurethane Black Paint
- Grille: Powder Coated Perforated Steel with anti-dust foam
- Connectors: Neutrik XLR In & Out + AC Power: 240V, Powercon In & Out

Data Sheet

Frequency Response	±5 dB 30 Hz ~ 120 Hz -10 dB 25 Hz
Sensitivity (1 Watt @ 1 m)	96 dB
Max SPL Calculated (Power EIAJ) [PEAK]	131 dB [134 dB]
Nominal Input Impedance (Ω)	8 Ω
Power Handling (Watts EIAJ) [PEAK]	3400 W [6800 W]
Nominal Dispersion (@ -6 dB)	360°
Dimensions mm (±1 mm) (H x W x D)	700 x 600 x 800

Weight

72 Kg



INSTALL | CONCERT HALL | STADIUM | TOURING



LSS ADVANCED SPEAKER SYSTEMS

SELF POWERED