

# SP220

## COMPACT 2-WAY LOUDSPEAKER / MONITOR SYSTEM



- 8" LF Ferrite Driver in Vented Enclosure
- 1" Compression driver with Rotable Horn
- Fly Mounting Points, Pole mount Cup and U Bracket Included
- Powering Mode: Full Range Passive
- For Touring or Permanent Installation

### Product Information

2-WAY loudspeaker system used as a dedicated top-box or personal mini-monitor and should be supported by subwoofer below 100 Hz. SP220 uses one 200 mm (8") mid-woofer in ferrite with a high excursion voice coil and a driver from 25 mm (1") in Mylar on rotatable horn. SP220 is entirely built of multilayer of phenolic from 15 mm Birch treated. The passive crossover with a low tolerance 12dB slope for the woofer and 18 dB low distortion ensure a reinforced sound and maximum reliability. SP220 is designed to work in full-range.

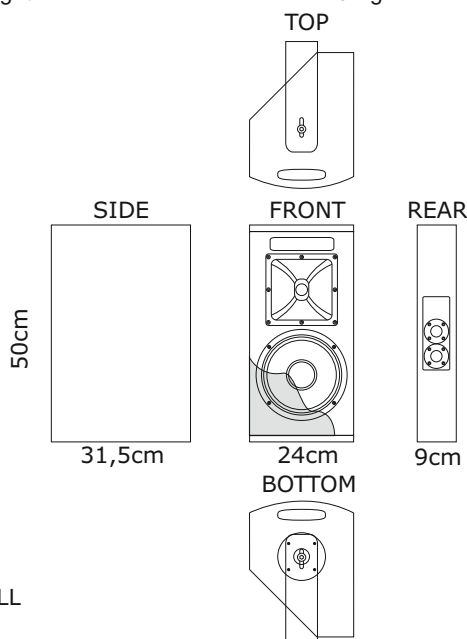
### Data Sheet

Frequency Response	±5 dB 60 Hz ~ 20 KHz -10 dB 40 Hz
Sensitivity (1 Watt @ 1 m)	94 dB
Max SPL Calculated (Power AES) [PEAK]	119 dB [123 dB]
Nominal Input Impedance (Ω)	8 Ω
Power Handling (Watts Cont. AES) [PEAK]	310 W [875 W]
Nominal Dispersion (@ -6 dB)	90° (H) x 40° (V)
Dimensions mm (±1 mm) (H x W x D)	500 x 240 x 315
Weight	10 Kg

### Enclosure Material

- Enclosure Material: Birch Plywood of 15 mm
- Finish: Texture Polyurethane Black Paint
- Suspension: 4 Point Mounting Suspension M8 and U Bracket System Included
- Grille: Powder Coated Perforated Steel with anti-dust foam
- Connectors: 2 Neutrik NL4 Speakon
- Optional Accessories: Speaker Soft Bag

INSTALL | EVENTS | PORTABLE | MONITOR | FRONTFILL



MULTIFUNCTION