

# SP425

## COMPACT 2-WAY LOUDSPEAKER SYSTEM



- 10" LF in Vented Enclosure
- 1.75" Compression Driver with Rotable Horn
- Fly Mounting Points and Pole mount Cup Included
- Powering Mode: Full Range or Bi-Amp  
(with Internal Passive Crossover)
- For Touring or Permanent Installation

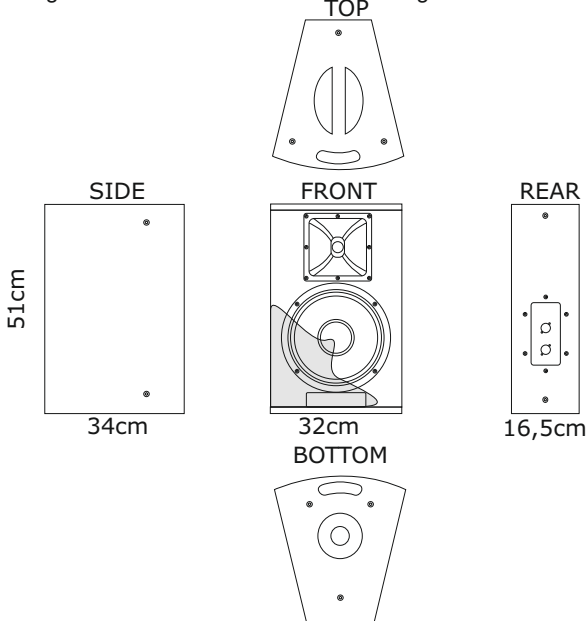
### Product Information

2-WAY loudspeaker system provides high output, low distortion sound reinforcement for the entire range of pro audio application. The 250 mm (10") low frequency cone and 44 mm (1.75") Titanium voice coil high frequency compression driver provides higher output and lower distortion plus enhanced power handling capabilities for better performance in both touring and permanently installed applications. LSS's advanced crossover includes professional protection of HF. The SP425 offers switchable powering mode: full range or Bi-Amp passive operation using the internal crossover filter network.

### Data Sheet

Frequency Response	±5 dB 65 Hz ~ 18 KHz -10 dB 45 Hz
Sensitivity (1 Watt @ 1 m)	96 dB
Max SPL Calculated (Power AES) [PEAK]	122 dB [126 dB]
Nominal Input Impedance (Ω)	8 Ω
Power Handling (Watts Cont. AES) [PEAK]	400 W [1000 W]
Nominal Dispersion (@ -6 dB)	90° (H) x 40° (V)
Dimensions mm (±1 mm) (H x W x D)	510 x 320 x 365

Weight 18 Kg



### Enclosure Material

- Enclosure Material: Birch Plywood of 15 mm
- Finish: Texture Polyurethane Black Paint
- Suspension: 12 Point Mounting Suspension M10
- Grille: Powder Coated Perforated Steel with anti-dust foam
- Connectors: 2 Neutrik NL4 Speakon
- Optional Accessories: Fly Clip with Ring, Speaker Soft Bag

INSTALL | EVENTS | PORTABLE