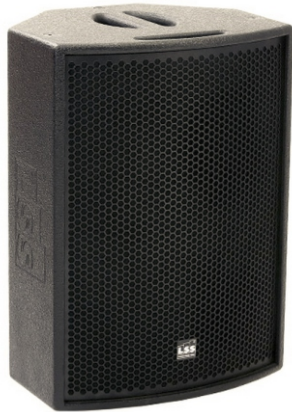


# DG300A

## 2-WAY SELF POWERED LOUDSPEAKER SYSTEM



- 12" LF Ferrite Driver in Vented Enclosure
- 1.4" Compression driver with Rotable 1" Horn
- Fly mounting points and pole mount cup included
- Powering Mode: Bi-Amp with Digital Amplifier 350 W + 95 W
- For Portable use or Permanent installation

### Product Information

2-WAY loudspeaker system provides high output, low distortion sound reinforcement for the entire range of pro audio application. The 320 mm (12") low frequency woofer and 50 mm (2") voice coil and 36 mm (1.4") voice coil high frequency compression driver on rotatable 1" horn provide higher output and lower distortion plus enhanced power handling capabilities for better performance both in touring or permanent installation. Integrated handles, lightweight design and sturdy mechanical protection features allow to handle DG300 with easy, whether you are a touring company, installer or mobile DJ. The powering mode is Active with Digital Amp module and DSP Controller. It is possible to choice within 4 different presets stored by default.

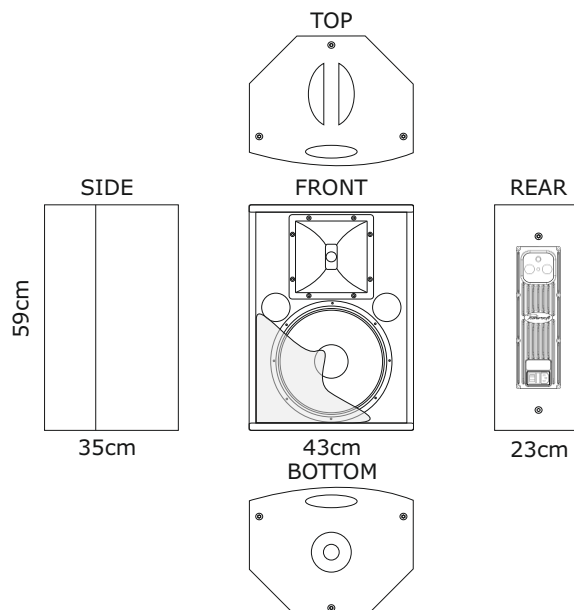
### Enclosure Material

- Enclosure Material: Birch Plywood of 15 mm
- Finish: Texture Polyurethane Black Paint
- Suspension: 8 Point Mounting Suspension
- Grille: Powder Coated Perforated Steel with anti-dust foam
- Connectors: XLR IN & OUT, AC Power: 240V, VDE Connetor
- Optional Accessories: Fly Clip with Ring, Speaker Soft Bag

INSTALL | EVENTS | PORTABLE | TOURING

### Data Sheet

Frequency Response	±5 dB 65 Hz ~ 18 KHz -10 dB 60 Hz
Sensitivity (1 Watt @ 1 m)	98 dB
Max SPL Calculated (Power EIAJ) [PEAK]	125 dB [128 dB]
Nominal Input Impedance (Ω)	8 Ω
Power Handling (Watts EIAJ) [PEAK]	450 W [900 W]
Nominal Dispersion (@ -6 dB)	90° (H) x 40° (V)
Dimensions mm (±1 mm) (H x W x D)	590 x 430 x 350
Weight	19 Kg



SELF POWERED