



PROFESSIONAL AUDIO SYSTEM

WM2



OPERATING MANUAL

Ver. WM2-EN-1.1

LSS Advanced Speaker Systems

Via On. Longo 53-89024 Polistena (RC) ITALY Tel (39) 966 9321299 – Fax (39) 966 933007 Email: info@lss.it - Internet: www.lss.it

NOTICE:

LSS products are manufactured for use according to proper procedures by a qualified operator and only for the purposes described in this manual. The following conventions are used to indicate and classify precautions in this manual. Always heed the information provided with them. Failure to heed precautions can result in injury to people or damage to property.

© LSS, 2016

All rights reserved. No part of this publication may be reproduced, stored in a retrieval system, or transmitted, in any form, or by any means, mechanical, electronic, photocopying, recording, or otherwise, without the prior written permission of LSS.

No patent liability is assumed with respect to the use of the information contained herein. Moreover, because LSS is constantly striving to improve its high-quality products, the information contained in this manual is subject to change without notice. Every precaution has been taken in the preparation of this manual. Nevertheless, LSS assumes no responsibility for errors or omissions. Neither is any liability assumed for damages resulting from the use of the information contained in this publication.

SUMMARY

INTRODUCTION	4
SAFETY AND WARNING.....	5
APPLICATION.....	6
PHYSICAL DESCRIPTION.....	6
TECHNICAL SPECIFICATIONS	7
INSTALLATION AND WIRING	8
WEEE DIRECTIVE	12
TROUBLESHOOTING	13
DIMENSIONS.....	14
NOTES	15

INTRODUCTION

Congratulation on the purchase of your new LSS loudspeaker. Quality innovation and versatility, this is a summary of the new system developed by LSS for professional sound users. LSS produces professional audio products – the result of exceptional engineering and meticulous craftsmanship. This manual is intended for use with LSS loudspeaker. This includes: safety precautions; installation, set-up and operating instruction. Please read this manual plus any accompanying manual and follow all relevant precautions and instructions. This should allow you to obtain the maximum performance from your new loudspeaker. Where there are conflicts or overlaps, the information in any accompanying manual supersedes the information in this manual.

SAFETY AND WARNING

IMPORTANT! SAFETY WARNING!

In the interest of their own and others' safety and to prevent voiding the warranty, we recommend a careful reading of this section before using the product.

- This product was designed and manufactured to be used as a speaker system in the context of a typical sound reinforcement system.

The use for any purpose other than these is not provided by the manufacturer and is therefore under the direct responsibility of the user / installer.

- This device complies with class I (must be connected to the outlet with a protective earthing connection).



WARNING

RISK OF ELECTRIC SHOCK
DO NOT OPEN

TO REDUCE THE RISK OF ELECTRIC SHOCK
DO NOT REMOVE COVER (OR BACK)
NO USER SERVICEABLE PARTS INSIDE
REFER SERVICING TO QUALIFIED SERVICE PERSONNEL
TO REDUCE THE RISK OF FIRE OR ELECTRIC SHOCK
DO NOT EXPOSE THIS EQUIPMENT TO RAIN OR MOISTURE

TO AVOID THE RISK OF FIRE AND / OR ELECTRIC SHOCK*:

- Do not expose this system to rain or moisture. Do not expose the apparatus to dripping or splashing water. Do not place objects filled with liquids, such as drinks, on the apparatus.

- Before connecting the system, be sure the mains voltage corresponds to that stated on the product.

- Connect this appliance to a power outlet with earth contact, according to national security force, via a power cable of adequate section ends with a plug or connector that meets the applicable safety regulations.

- The unit is connected to the network even when the power switch is in position '0' (OFF). Before any maintenance, disconnect the power cable from the outlet.

*Risk of electric shock only for self-powered system.

IMPORTANT! SAFETY PRECAUTIONS!

Read This First.

Read and heed all warnings and safety instructions in this Manual before using the product.

Failure to follow all precautions can result in equipment damage and / or personal injury.

1. Read these instructions.
2. Keep these instructions
3. Heed all warnings and follow all instructions.
4. Use only attachments/accessories specified by the manufacturer.
5. Use only with the cart, stand, tripod, bracket, or table specified by the manufacturer, or sold with the apparatus. When a cart is used, use caution when moving the cart/apparatus combination to avoid injury from tip-over.
6. Refer all servicing to qualified service personnel. Servicing is required when the apparatus has been damaged in any way, such as power-supply cord or plug is damaged, liquid has been spilled or objects have fallen into the apparatus, the apparatus has been exposed to rain or moisture, does not operate normally, or has been dropped.
7. LSS loudspeakers can produce sound levels capable of causing permanent hearing damage from prolonged exposure. The higher the sound level, the less exposure needed to cause such damage

CAUTION: This product is energized as long as it is connected to the AC.

CAUTION: Allow at least six inches of free space all around the amplifier for sufficient ventilation.

APPLICATION

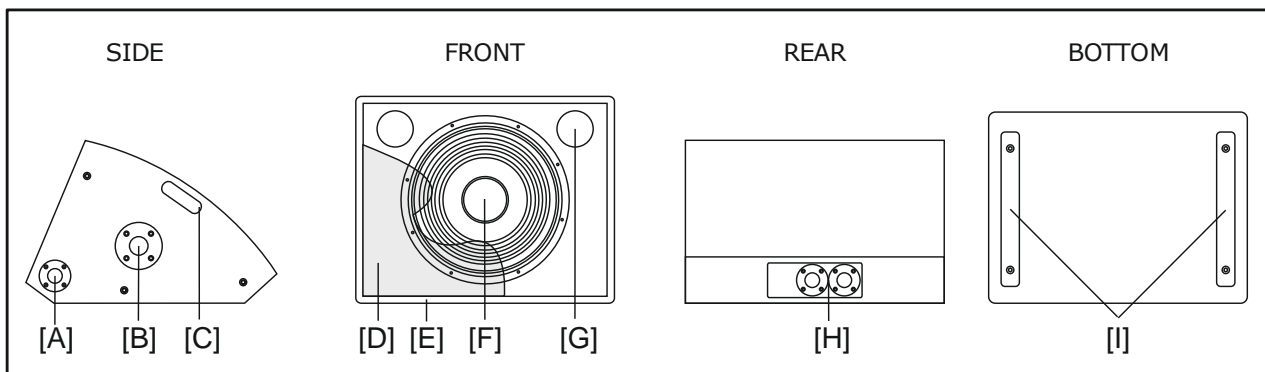
LSS's WM2 is a two-way loudspeaker system that provides high output, low distortion sound reinforcement for the entire range of pro audio applications.

The 300 mm (12") low frequency cone with 75 mm (3") voice coil and 72 mm (2.8") voice coil high frequency compression driver with modified exponential rotatable horn with controlled coverage provides higher output and lower distortion plus enhanced power handling capabilities for better performance in both touring applications. LSS's advanced crossover includes professional protection of HF. The WM2 offers a switchable powering mode: passive operation using the internal crossover filter network or bi-amplified operation.

Coaxial speakers create a very compact single driver whilst retaining the benefits of separate magnetic assemblies. The drivers are positioned together to utilize the combined shape and geometry of the LF cone and HF horn to create a single waveguide. The rotatable horn allows to have two different dispersion range: 60°(V) - 40°(H) by default or 40°(V) - 60°(H).

The WM2 was designed to support the widest possible range of pro audio applications. It is ideal for stage monitoring applications high output vocal presence and neutral balanced sound. The pole mount cup provide front or side fill for concert touring applications. The comprehensive system mounting points allows safe suspension in permanent installations.

PHYSICAL DESCRIPTION



- [A] Speakon Connectors
- [B] Pole Mount Cup
- [C] Handle
- [D] Steel Protection Grid
- [E] Enclosure Cabinet

- [F] Woofer
- [G] Reflex
- [H] Connection Panel
- [I] Plastic Skids

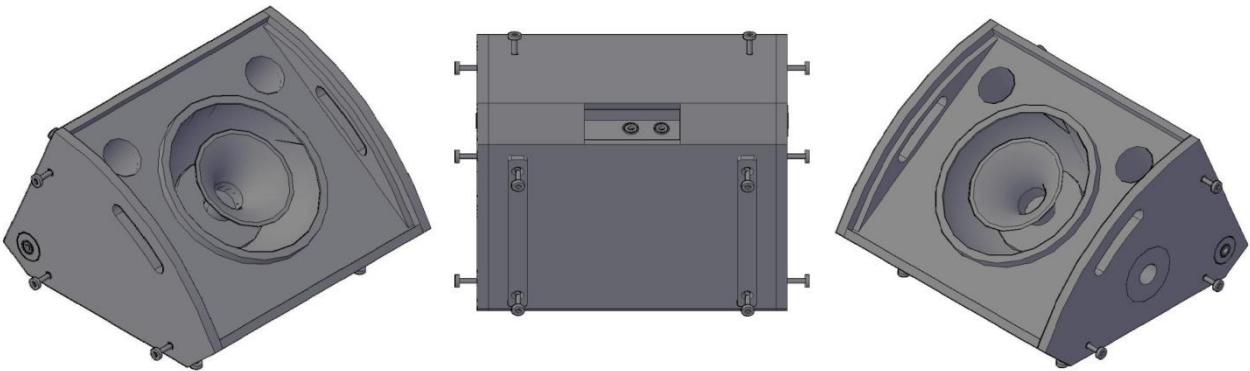
Materials and construction meet the highest professional standards to ensure maximum reliability.

TECHNICAL SPECIFICATIONS

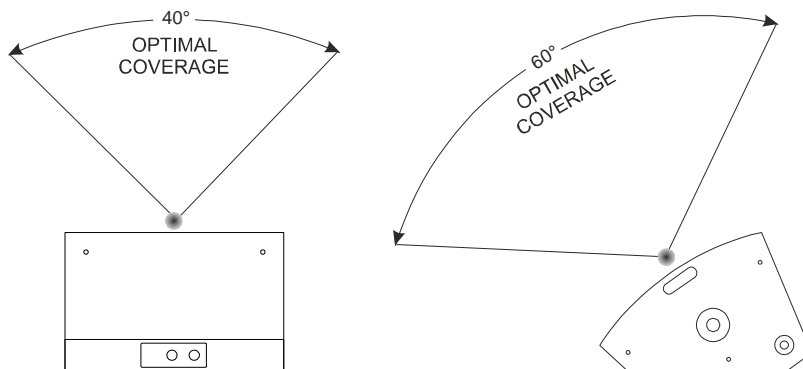
PHYSICAL	Dimensions mm (± 1 mm) [Inches]	Height 315 [12.40"]	
		Front Width 500 [19.68"]	
		Depth 485 [19.09"]	
	Weight Kilograms	Net Weight 16.5	
		Shipping Weight 17	
SYSTEM PERFORMANCE	Frequency Response	± 5 dB 65 Hz ~ 18 KHz	
		-10 dB 50 Hz	
	Sensitivity (1 Watt @ 1 m)	Full Range Passive 98 dB	
		LF 98 dB	
		HF 103 dB	
	Max SPL Calculated (Power AES) [PEAK]	126 dB [131 dB]	
	Nominal Input Impedance (Ω)	Full Range Passive 8 Ω	
		LF 8 Ω	
		HF 8 Ω	
	Power Handling (Watt cont. AES)	Full Range Passive 600 W	
LF 400 W			
HF 200 W			
Peak Power	Full Range 1800 W		
	LF 1400 W		
	HF 400 W		
Nominal Dispersion (@ -6 dB)	Horizontal 40°	Rotable	
	Vertical 60°		
MECHANICAL	Enclosure material	Birch Plywood of 15 mm [0.71 inches]	
	Finish	Texture poliuretanic black paint	
	Suspension	12 Point Mounting Suspension, Pole mount Cup	
	Grille	Powder coated perforated steel with anti-dust foam	
	Connectors	4 Neutrik Speakon NL4	
	Optional Accessories	Fly Clip with Ring, Flight Case for two WM2	

INSTALLATION AND WIRING

WM2 speaker, being a monitor, can be mounted to the wall in addition it can be installed on a pole or suspended through the suspension points both in vertical and horizontal position.

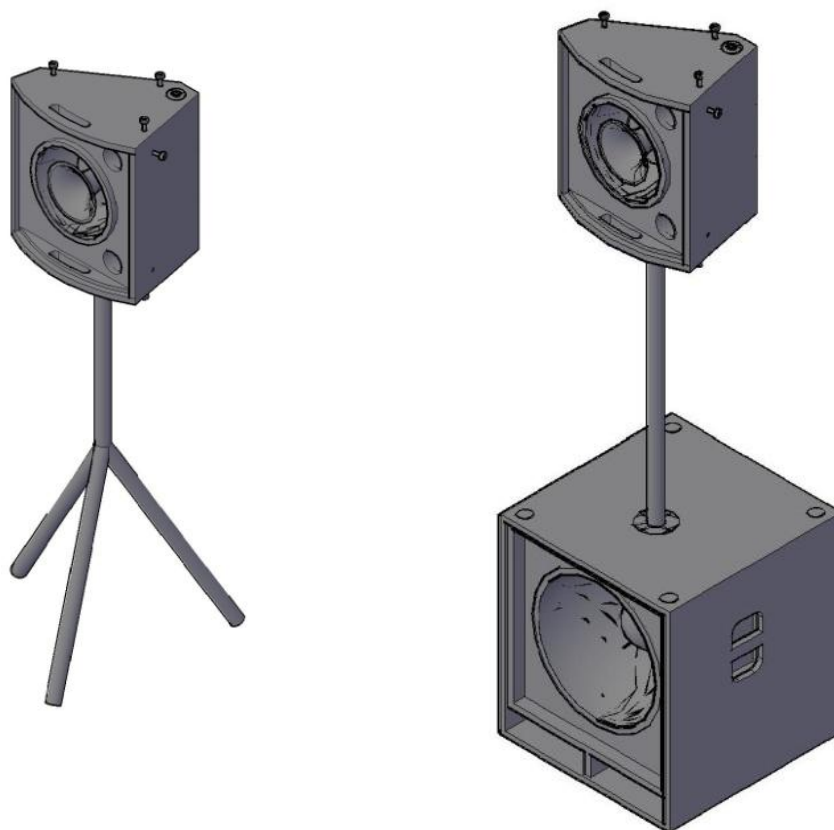


When the loudspeaker is in monitor position, the optimal areas coverage in front of it is represented in the figure below:



Loudspeaker's horn is rotatable of 90°, this allow to invert the optimal coverage areas. To rotate the horn, use an M4 hex key, remove the screw in the inner side, rotate the external of the horn, then tighten the screw.

For installation on a pole, use the pole mount plate in the bottom of the case. Loudspeaker can be installed on a tripod or on a sub using a simple pole. Do not attempt to suspend more than one speaker on a stand designed for a single speaker.



For suspended installation, there are six brackets inside the case: three in the left side, three in the right side. Each bracket is secured to two adjacent internal side of speaker using two M10 screwbolts.

If needed, replace the screwbolts with eyebolts.

More detailed:

- Two brackets are connected between bottom and left side of case.

- Two brackets are connected between bottom and right side of case.

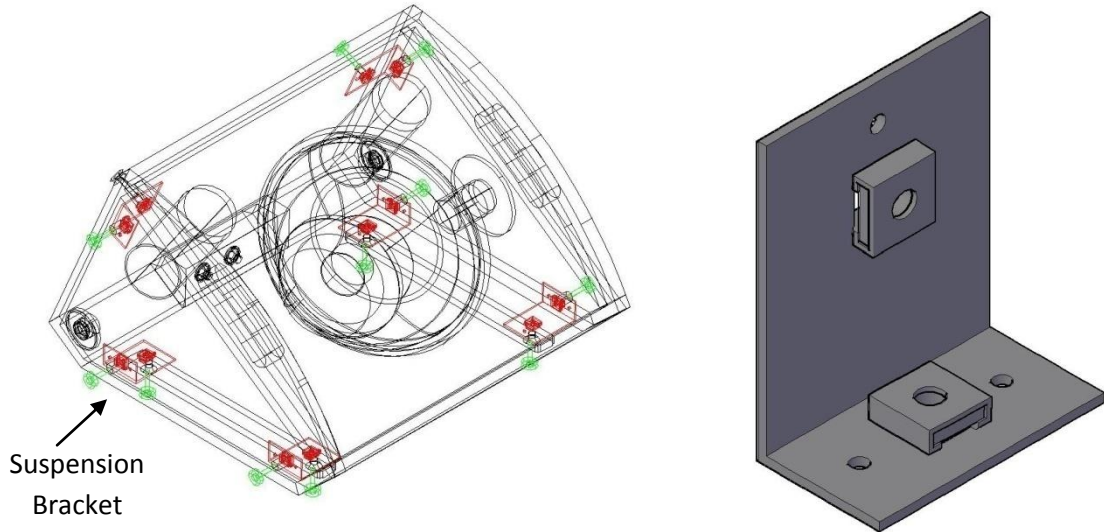
- One bracket is connected between left and rear side of case.

- One bracket is connected between right and rear side of case.

When installation is in suspended mode, use the brackets.

Unscrew one of the two screws that hold a single bracket, the second screw must be screwed only after the first one has been tightened to avoid the bracket moves.

Use plugs suitable to support the weight of the entire apparatus.



Choose a safe mounting location, so as to prevent the cables can be stepped on or create tripping hazards.

Before making connections between mixer and speakers, make sure the mixer volume is turned down.

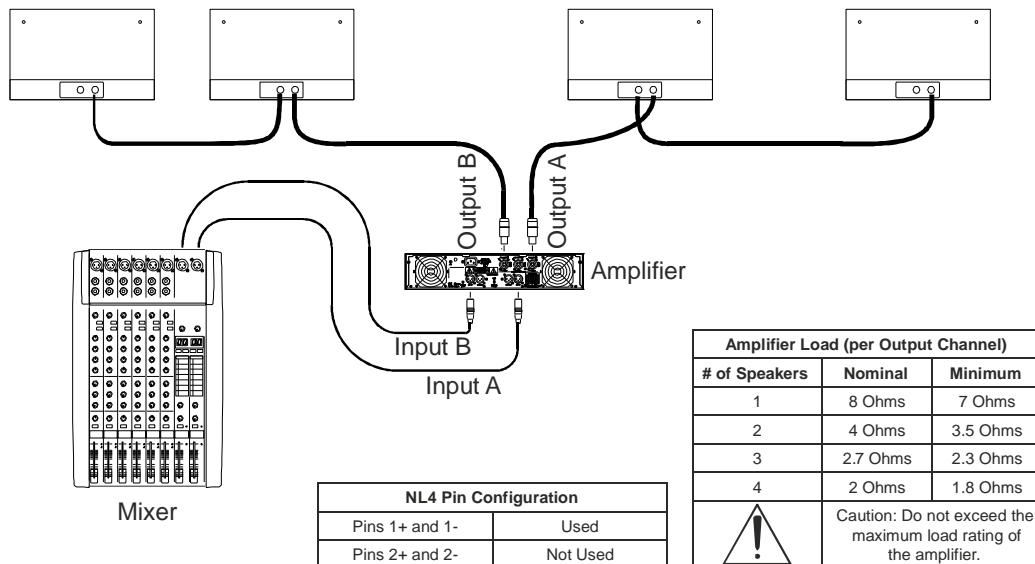
There are four Speakon NL4 connectors in the case, one in the left side, one in the right side and two in the connection panel in the rear of the case.

The connectors in the connection panel are referred as 'IN' and 'OUT'. IN is the input connector and must be connected to the amplifier, 'OUT' is a LINK OUT and can be connected to other systems.

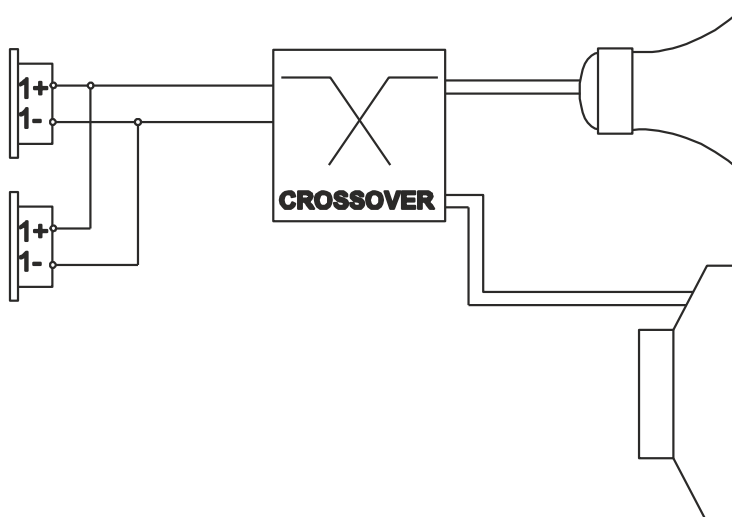
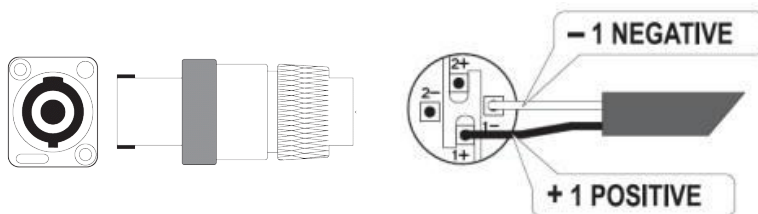
Channel 2 has been linked from In to the out.

There are other two Speakon connectors can be used both as input or output.

Recommended configuration using multiple stage monitors is represented below:



You can now use the system



WEEE DIRECTIVE

WEEE Directive

Warning!

The product is marked with this symbol which indicates not to discard electrical and electronic equipment via the normal procedure for disposal of household waste. For these products there is a diverse collection system in accordance with legislation that requires proper treatment, recovery and recycling of used products. For more information please contact the appropriate local authority.

The black bar underneath indicates that the product was placed on the market after 13 August 2005.

INFORMATION FOR PROPER DISPOSAL

For home users

In the European Union

Warning: To dispose of this equipment, do not use the ordinary dust bin!

The electrical and electronic equipment must be treated separately and in accordance with legislation that requires proper treatment, recovery and recycling of used products. Following the implementation by member states, private households within the EU can give free electrical and electronic equipment to designated collection facilities*.

In some countries (*), your local retailer may withdraw the old product for free if you purchase a new one of similar type.

* For more information please contact the appropriate local authority.

In countries outside the EU: please contact your local authorities and ask for the correct method of disposal.

In Switzerland: Used electrical or electronic equipment can be returned free of charge to the dealer, even if you do not purchase a new product.

Further collection facilities are listed on the homepage or www.swico.ch.
www.sens.ch.

For professional users

In the European Union

Warning: If the product is used for business purposes, the following steps to delete it:

contact your LSS dealer for information about the product recall.

Might be charged for the costs of collection and recycling. Small products (and amounts) might be taken back by your local collection facilities.

In Spain: contact the established collection system or the local authority for collection of used products.

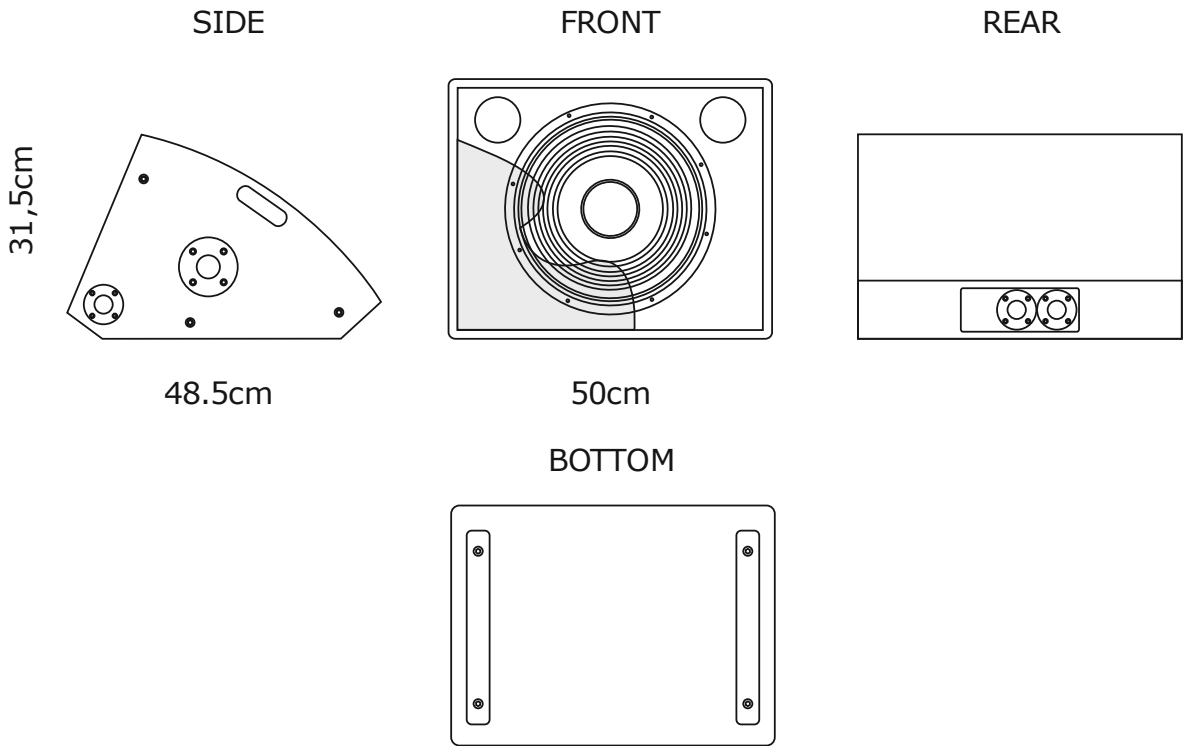
In countries outside the EU: please contact your local authorities and ask for the correct method of disposal.



TROUBLESHOOTING

Problem	Possible cause (s)	Action
1. No Sound	Amplifier	Connect a known working test speaker to the amplifier outputs. If there is no sound, check that all the electronics are on, the signal routing is correct, the source is active, the volume is turned up, and so on. Correct/repair/replace as necessary. If there is sound, the problem is in the wiring.
	Wiring	Verify that you have connected the correct wire pairs to the amplifier. Play something at low level through the amplifier (for example, from a CD player or tuner). Connect the test speaker in parallel with the malfunctioning line. If the sound level has gone or is very weak, the line has a short in it (possibly a severe scrape, pinch, or staple puncture). If the sound level is normal, the wire is open (possibly a cut wire or a missed connection). Using the test speaker, move down the line and test each connection/junction until you find the problem and correct it. Observe proper polarity.
2. Poor Low Frequency Response	Speakers wired out-of-polarity	When two speakers are connected out of polarity, the low frequencies will cancel each other acoustically. Carefully observe the wire markings or tracers on your speaker wires. Verify that the amplifier (+) terminal is connected to pin 1+ of the NL4 connector and the amplifier (-) terminal is connected to pin 1- of the NL4 connector.
3. Intermittent output such as crackling or distortion	Faulty Connection	Check all connections at amplifier and speakers to ensure they are all clean and tight. If the problem persists, it may be in the amplifier or wiring. See Problem 1 above.
4. Constant noise such as buzzing, hissing, humming	Defective amplifier or other electronic Devices	If the noise is present but no program material is playing, the likely cause is the signal chain in the electronics. Evaluate each component as necessary to isolate the problem.
	Poor system grounding or ground loop	Check and correct the system grounding, as required.
If these suggestions do not solve your problem, contact your nearest LSS dealer or LSS distributor.		

DIMENSIONS



NOTES



CONTACT INFORMATION:

LSS Advanced Speaker Systems

Via On. Longo 53
89024 Polistena (RC) ITALY
Tel (39) 966 9321299 – Fax (39) 966 933007
Email: info@lss.it - Internet: www.lss.it