

PSUB3

REFLEX SUBWOOFER SYSTEM



- Dual 18" Neodymium LF Subwoofer
- Powering Mode: Passive with external Digital Processor
- For Touring Use or Permanent Installation

Product Information

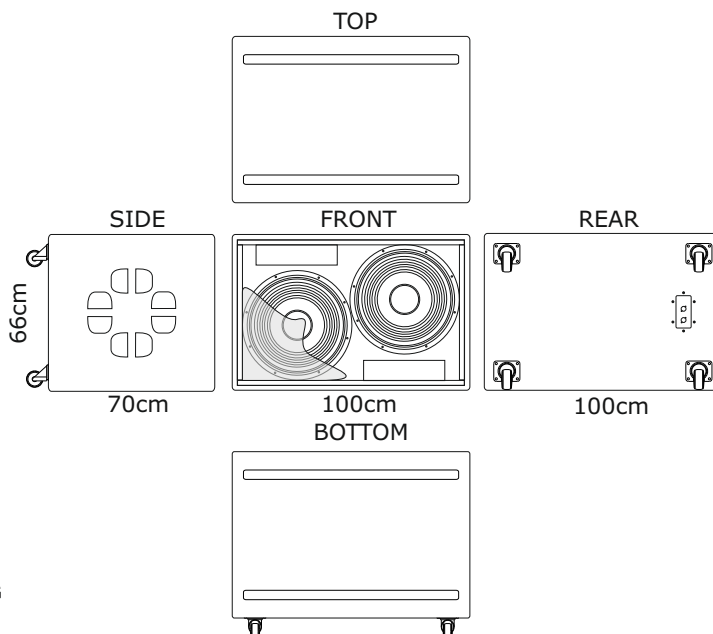
PSUB3 provides high output, low distortion sound reinforcement. PSUB3 is designed for a wide-range of professional application. PSUB3 enclosure uses dual woofers of 460 mm (18") with Neodymium magnet and New Technology Split Winding 100 mm (4") voice coil. High performance and very high peak output for concert sound. PSUB3 powering mode is only passive amplified operation with external Digital Processor.

Data Sheet

Frequency Response	±5 dB 40 Hz ~ 150 Hz -10 dB 30 Hz
Sensitivity (1 Watt @ 1 m)	103 dB
Max SPL Calculated (Power AES) [PEAK]	138 dB [144 dB]
Nominal Input Impedance (Ω)	4 Ω
Power Handling (Watts Cont. AES) [PEAK]	3000 W [14000 W]
Nominal Dispersion (@ -6 dB)	360°
Dimensions mm (±1 mm) (H x W x D)	660 x 1000 x 700
Weight	75 Kg

Enclosure Material

- Enclosure Material: Birch Plywood of 18 mm, Wheels Included
- Finish: Texture Polyurethane Black Paint
- Grille: Powder Coated Perforated Steel with anti-dust foam
- Connectors: 2 Neutrik NL4 Speakon



INSTALL | CONCERT HALL | EVENTS | TOURING

SUBWOOFER