

SP218

ULTRA COMPACT HIGH POWER SYSTEM



- 6" LF in Vented Enclosure
- 1" Compression driver with Rotable Horn
- Fly Mounting Points, Pole mount Cup and U Bracket Included
- Powering Mode: Full Range Passive
- For Touring or Permanent Installation

Product Information

2-WAY loudspeaker system uses one 160 mm (6") mid-woofer with Neodymium magnet and voice coil from 44 mm (1.75") and a driver of 25 mm (1") of Mylar on a rotatable ABS horn. The suspension points included in the cabinet give the possibility of installation both in horizontal and vertical position. The asymmetric trapezoidal profile renders it practical also for uses like small monitor. SP218 can be used to full-range or with subwoofer (ex. SUBDRIVE 12, PSUB1). Passive crossover low tolerance with slope 12dB/18dB and Poliswitch circuit of protection guarantee elevated pressures and the maximum reliability lasting in time.

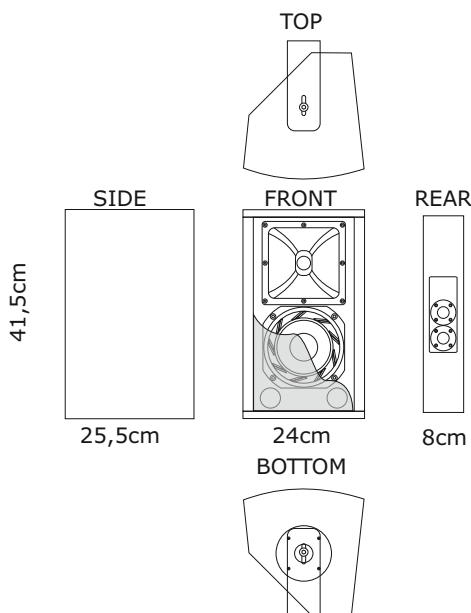
Data Sheet

Frequency Response	±5 dB 75 Hz ~ 20 KHz -10 dB 50 Hz
Sensitivity (1 Watt @ 1 m)	94 dB
Max SPL Calculated (Power AES) [PEAK]	117 dB [121 dB]
Nominal Input Impedance (Ω)	8 Ω
Power Handling (Watts Cont. AES) [PEAK]	250 W [575 W]
Nominal Dispersion (@ -6 dB)	90° (H) x 40° (V)
Dimensions mm (±1 mm) (H x W x D)	415 x 240 x 240
Weight	6 Kg

Enclosure Material

- Enclosure Material: Birch Plywood of 15 mm
- Finish: Texture Polyurethane Black Paint
- Suspension: 2 Point Mounting Suspension M6 and U Bracket System Included
- Grille: Powder Coated Perforated Steel with anti-dust foam
- Connectors: 2 Neutrik NL4 MPR Speakon
- Optional Accessories: Speaker Soft Bag, Flight Case

INSTALL | EVENTS | PORTABLE



MULTIFUNCTION