

# SP640

## COMPACT 2-WAY LOUDSPEAKER SYSTEM



- 15" LF inVented Enclosure
- 1.75" Compression Driver with Rotable Horn HF
- Fly Mounting Points and Pole mount Cup Included
- Powering Mode: Full Range or Bi-Amp  
(with Internal Passive Crossover)
- For Touring or Permanent Installation

### Product Information

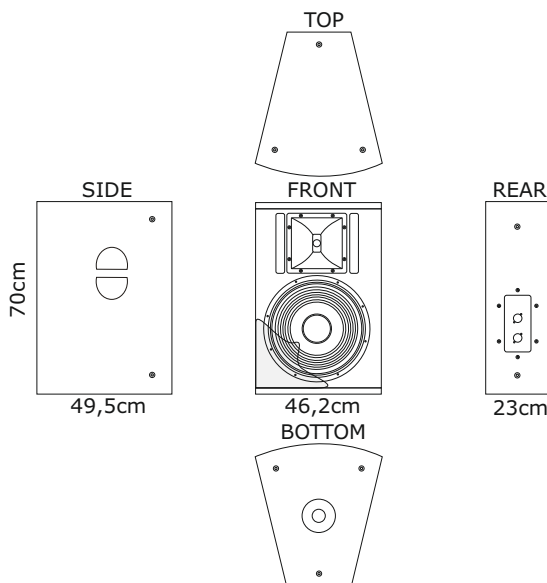
2-WAY loudspeaker system provides high output, low distortion sound reinforcement for the entire range of pro audio application. The 380 mm (15") low frequency cone of Neodymium with 75 mm (3") voice coil and 44 mm (1.75") voice coil high frequency Titanium compression driver provide higher output and lower distortion plus enhanced power handling capabilities for better performance in both touring and permanently installed applications. LSS's advanced crossover includes professional protection of HF. The SP640 offers switchable powering mode: full range or Bi-Amp passive operation using the internal crossover filter network.

### Data Sheet

Frequency Response	±5 dB 55 Hz ~ 18 KHz -10 dB 40 Hz
Sensitivity (1 Watt @ 1 m)	99 dB
Max SPL Calculated (Power AES) [PEAK]	125 dB [130 dB]
Nominal Input Impedance (Ω)	8 Ω
Power Handling (Watts Cont. AES) [PEAK]	550 W [1750 W]
Nominal Dispersion (@ -6 dB)	90° (H) x 40° (V)
Dimensions mm (±1 mm) (H x W x D)	700 x 462 x 524
Weight	28 Kg

### Enclosure Material

- Enclosure Material: Birch Plywood of 18 mm
- Finish: Texture Polyurethane Black Paint
- Suspension: 12 Point Mounting Suspension M10
- Grille: Powder Coated Perforated Steel with anti-dust foam
- Connectors: 2 Neutrik NL4 Speakon
- Optional Accessories: Fly Clip with Ring



INSTALL | EVENTS | PORTABLE | TOURING

POINT SOURCE