

SP805P

FULL RANGE LOUDSPEAKER SYSTEM



- 5" Full-Range Loudspeaker
- Exceptional Voice & Music Reproduction
- Transformer with Three Position Powering Mode
- Powering Mode: Full Range Passive
- For permanent Installation

Product Information

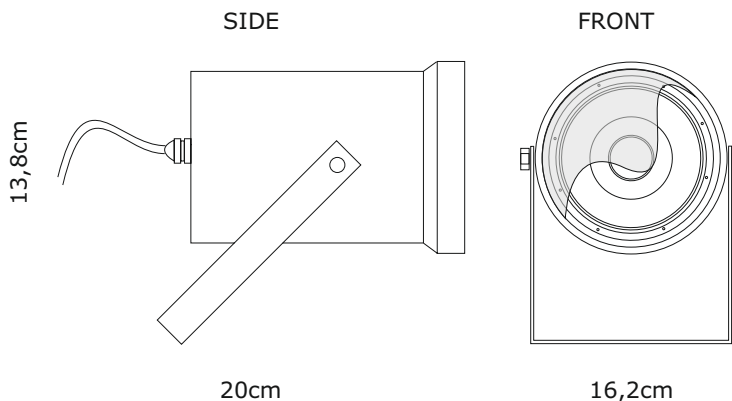
SP805P is a sound projector for ABS fusion, water-resistant and resistant at the vandal actions, ideal for the reproduction of the speech and the background music. SP805P uses a loudspeaker from 130 mm (5") double cone with membrane waterproofed to exponential profile with transformer included of 20 W with 3 position of pilotage. Extremely linear response in mid-range, elevated dispersion, high power and extreme sturdiness make of this product an unique and exceptional loudspeaker for his category.

Data Sheet

Frequency Response	±5 dB 120 Hz ~ 18 KHz -10 dB 110 Hz
Sensitivity (1 Watt @ 1 m)	92 dB
Max SPL Calculated (Power AES) [PEAK]	105 dB [111 dB]
Nominal Input Impedance (Ω)	8 Ω
Power Handling (Watts Cont. AES) [PEAK]	20 W [80 W]
Transformer Taping 100V Line	20-10-5 W
Nominal Dispersion (@ -6 dB)	100° (H) x 100° (V)
Dimensions mm (±1 mm) (H x W x D)	138 x 162 x 200
Weight	1.6 Kg

Enclosure Material

- Enclosure Material: ABS
- Finish: White RAL 9010
- Suspension: U Bracket System
- Grille: Powder Coated Perforated Steel
- Connectors: 2 Neutrik NI4 Speakon
- Wiring Mode: Blu - Common
Red - 20 W
Yellow - 10 W
Green - 5 W



INSTALL | EVENTS