

SUBTREX

HIGH POWER REFLEX SUBWOOFER SYSTEM



- Dual 15" LF in Reflex Enclosure
- Same Cabinet as TRES
- Fly Mounting Points and Fly Track Point
- Powering Mode: Passive with external Digital Processor
- For Touring Use or Permanent Installation

Product Information

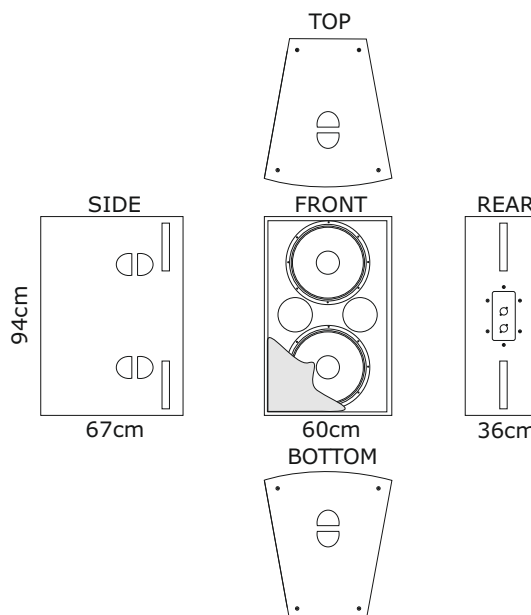
SUBTREX provides high output, low distortion sound reinforcement. SUBTREX is designed for wide-range of professional applications. High performance and very high peak output for concert sound. SUBTREX powering mode is only passive amplified operation with external Digital Processor. SUBTREX is ideal for concert touring applications. The comprehensive system mounting points permit safe suspension in touring installation.

Data Sheet

Frequency Response	±5 dB 45 Hz ~ 180 Hz -10 dB 30 Hz
Sensitivity (1 Watt @ 1 m)	103 dB
Max SPL Calculated (Power AES) [PEAK]	137dB [144 dB]
Nominal Input Impedance (Ω)	4 Ω
Power Handling (Watts Cont. AES) [PEAK]	2400 W [14000 W]
Nominal Dispersion (@ -6 dB)	360°
Dimensions mm (±1 mm) (H x W x D)	940 x 600 x 700
Weight	41 Kg

Enclosure Material

- Enclosure Material: Birch Plywood of 18 mm
- Finish: Texture Polyurethane Black Paint
- Suspension: Suspension: 6 Fly Point Mounting Track
- Grille: Powder Coated Perforated Steel
- Connectors: 2 Neutrik NL4 Speakon



INSTALL | CONCERT HALL | EVENTS | TOURING