

# ARC115

## FULL RANGE LOUDSPEAKER SYSTEM



- 5" Full Range Loudspeaker
- Exceptional Voice & Music Reproduction
- Nominal Impedance 52 Ω, on Request 8Ω
- Powering Mode: Full Range Passive
- For Permanent Installation

### Product Information

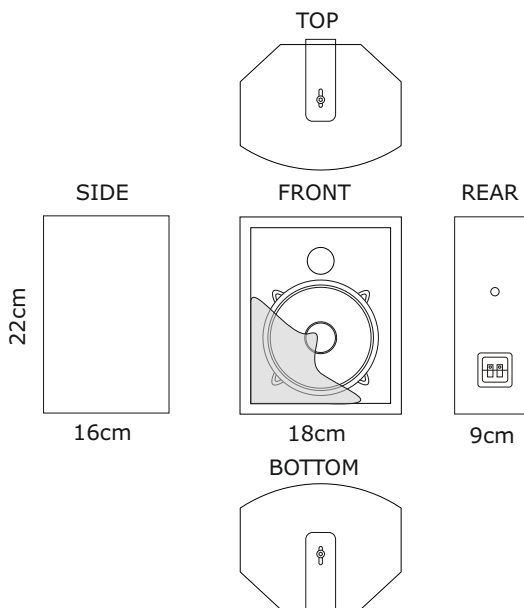
ARC115 is ideal for speech reproduction and the background music. ARC115 uses loudspeaker from 130 mm (5") double cone with membrane waterproofed to exponential profile of high level impedance speaker (52 Ω nominal). This allows the parallel connection on the same line for a maximum of 12 loudspeakers without transformers and constant voltage amplifiers. High power dispersion and extreme sturdiness, they make of this product an unique and exceptional loudspeaker. On request with 8 Ω nominal impedance.

### Data Sheet

Frequency Response	±5 dB 80 Hz ~ 18 KHz -10 dB 60 Hz
Sensitivity (1 Watt @ 1 m)	92 dB
Max SPL Calculated (Power AES) [PEAK]	105 dB [111 dB]
Nominal Input Impedance (Ω)	52 Ω
Power Handling (Watts Cont. AES) [PEAK]	20 W [80 W]
Nominal Dispersion (@ -6 dB)	100° (H) x 100° (V)
Dimensions mm (±1 mm) (H x W x D)	220 x 180 x 140
Weight	1.8 Kg

### Enclosure Material

- Enclosure Material: MDF of 12 mm
- Finish: Texture Polyurethane Black Paint
- Suspension: U Bracket System
- Grille: Powder Coated Perforated Steel with anti-dust foam
- Connectors: Black and Red Clamps



INSTALL | EVENTS