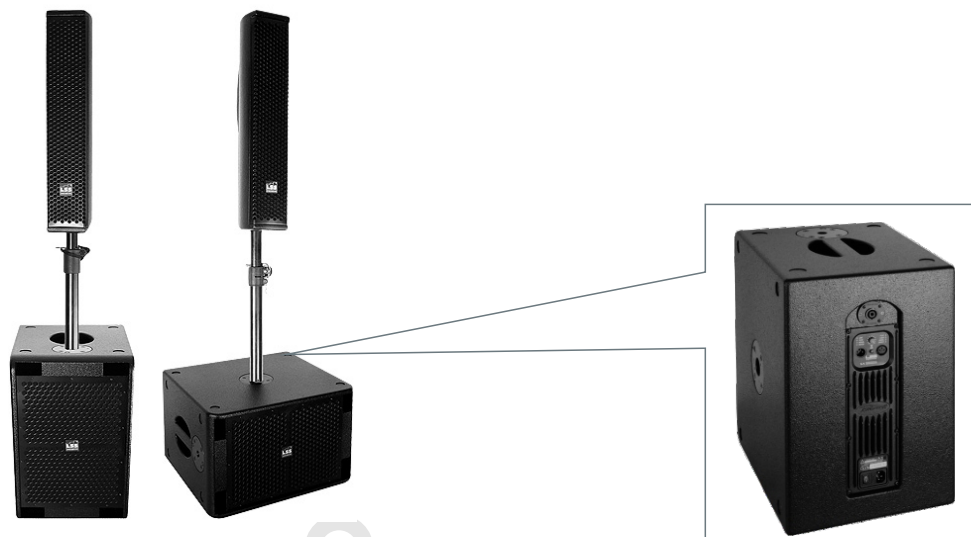


LT60

COMPACT SELF POWERED SYSTEM



Product Information

Quality innovation and versatility, this is a summary of the new self-powered system developed by LSS for professional sound users. LT60 is a system that uses a neodymium subwoofer 250 mm (10") in reflex configuration with integrated digital module. The module has an active output that controls the satellite with 4 different presets. The subwoofer can be placed in two positions (vertical and horizontal). This allows a very versatile configuration even in not easy areas.

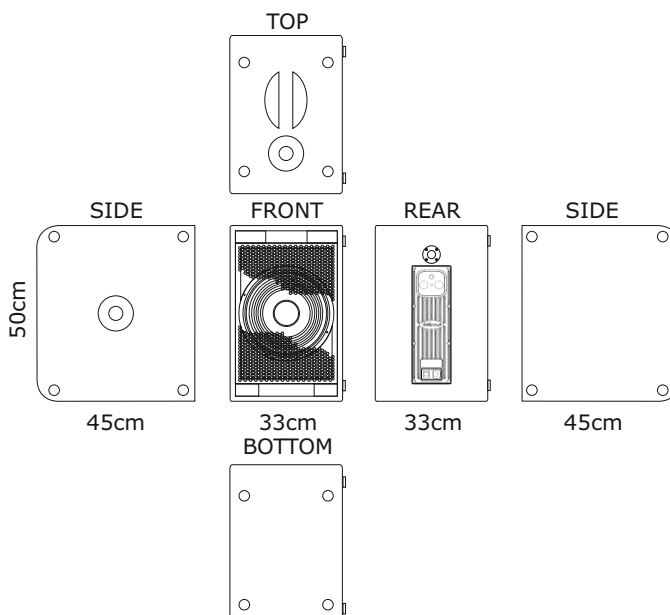
Data Sheet

SUB

Frequency Response	±5 dB 50 Hz ~ 120 Hz -10 dB 35 Hz
Sensitivity (1 Watt @ 1 m)	96 dB
Max SPL Calculated (Power EIAJ) [PEAK]	121 dB [124 dB]
Nominal Input Impedance (Ω)	4 Ω
Power Handling (Watts EIAJ) [PEAK]	350 W [700 W]
Dimensions mm (±1 mm) (H x W x D)	330 x 500 x 450
Weight	19 Kg

Enclosure Material

- Enclosure Material: Birch Plywood of 15 mm
- Finish: Texture Polyurethane Black Paint
- Grille: Powder Coated Perforated Steel with anti-dust foam
- Connectors: XLR IN & OUT, Out for Sat Neutrik NL4 Speakon AC Power: 240V, VDE Connetor
- Accessories: 2 Soft Bag for Sub



INSTALL | EVENTS | PORTABLE

SELF POWERED

LT60

COMPACT SELF POWERED SYSTEM



- High Power System for Live PA and Any kind of Portable System
- High Quality Cabinet of Birch Plywood
- Pole Mount Cup Included
- Powering Mode: Self-Powered with Digital Power Module made by Powersoft
- 350 W for SUB and 350 W for the Satellite with stored 4 preset
- For Portable Use or Permanent Installation

Product Information

The satellite is configured as a mini line array with 4 neodymium fullrange of 100 mm (4") and 26 mm (1") compression driver coupled on waveguide specifically designed for specifically designed for optimal coverage. Impact, natural sound and portability are the strenghts of this system. LT60 is provided with wiring kit, soft cases for the transportation and adjustable rod for easy quick coupling to the sub.

Data Sheet

SAT

Frequency Response ± 5 dB 135 Hz ~ 20 KHz
-5 dB 100 Hz

Sensitivity (1 Watt @ 1 m) 96 dB

Max SPL Calculated (Power EIAJ) [PEAK] 121dB
[124 dB]

Nominal Input Impedance (Ω) 4 Ω

Power Handling (Watts EIAJ) [PEAK] 350 W
[700 W]

Nominal Dispersion (@ -6 dB) 80° (H) x 25° (V)

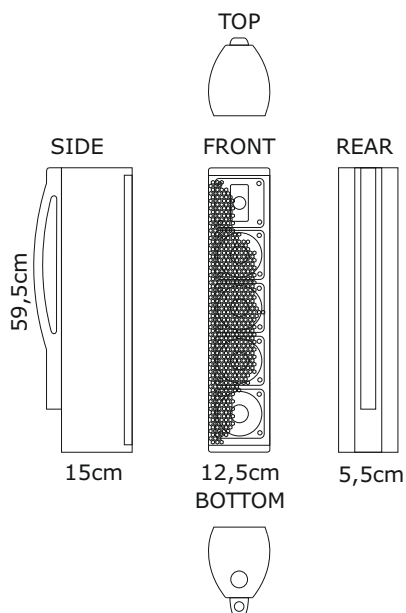
Dimensions mm (± 1 mm) (H x W x D) 592 x 125 x 3150

Weight 5.3 Kg

Enclosure Material

- Enclosure Material: Birch Plywood of 15 mm and 8 mm on sides
- Finish: Texture Polyurethane Black Paint
- Suspension: Pole Mount Cup
- Grille: Powder Coated Perforated Steel with anti-dust foam
- Connectors: 1 Neutrik NL4 Speakon
- Accessories: 2 Soft Bag for Satellites and 1 Soft Bag for rods

INSTALL | EVENTS | PORTABLE



SELF POWERED